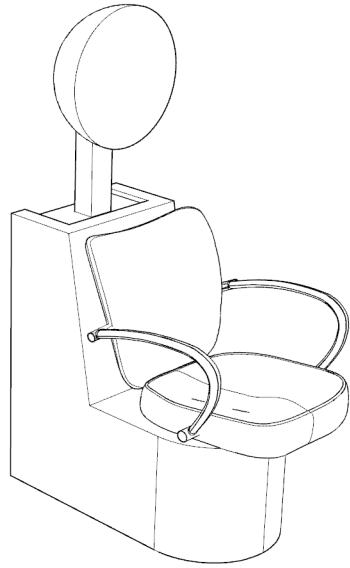




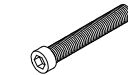
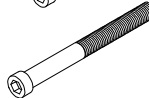

Assembly Instructions

Vantage Dryer Chair

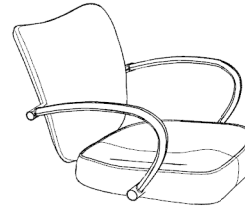
Model #9843



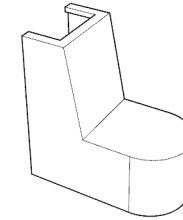
Parts List

B	(2x)		Bolt - M8x50
C	(2x)		Bolt - M8x(35+35)
D	(4x)		Lock washer + flat washer

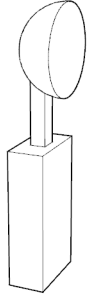
Chair Top (1x)



Dryer Seat (1x)



Dryer (Not included)

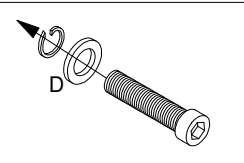
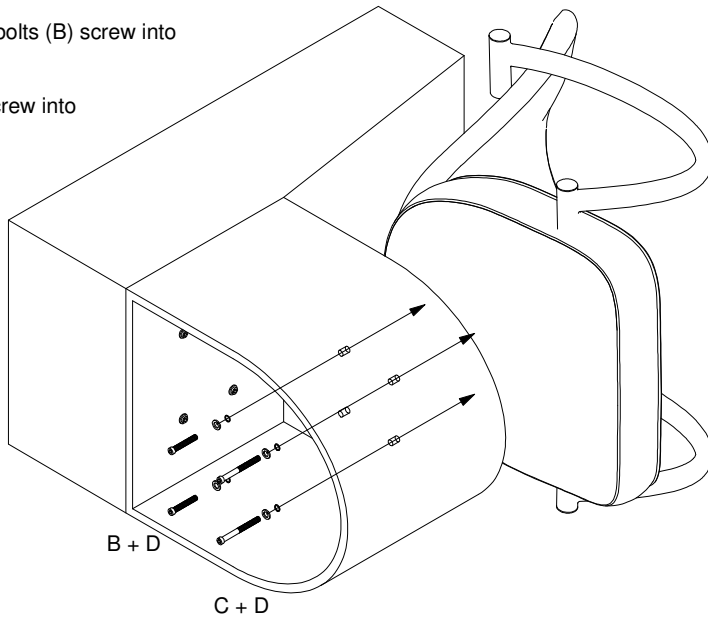


1 - Attaching the chair top

Use the given bolts and washers to mount the chair top to the dryer base.
Use a lock washer and flat washer on each bolt.

The two medium-length bolts (B) screw into the rear of the chair top.

The two long bolts (C) screw into the front of the chair.



2 - Attaching the dryer

Locate the Metal bar on the back of the Dryer Seat. Then remove the bolts that are holding it in place.

Place the dryer into the opening in the back of the Dryer Seat.

Screw the given screws back into the metal bar and Dryer Seat to hold the dryer in place.

