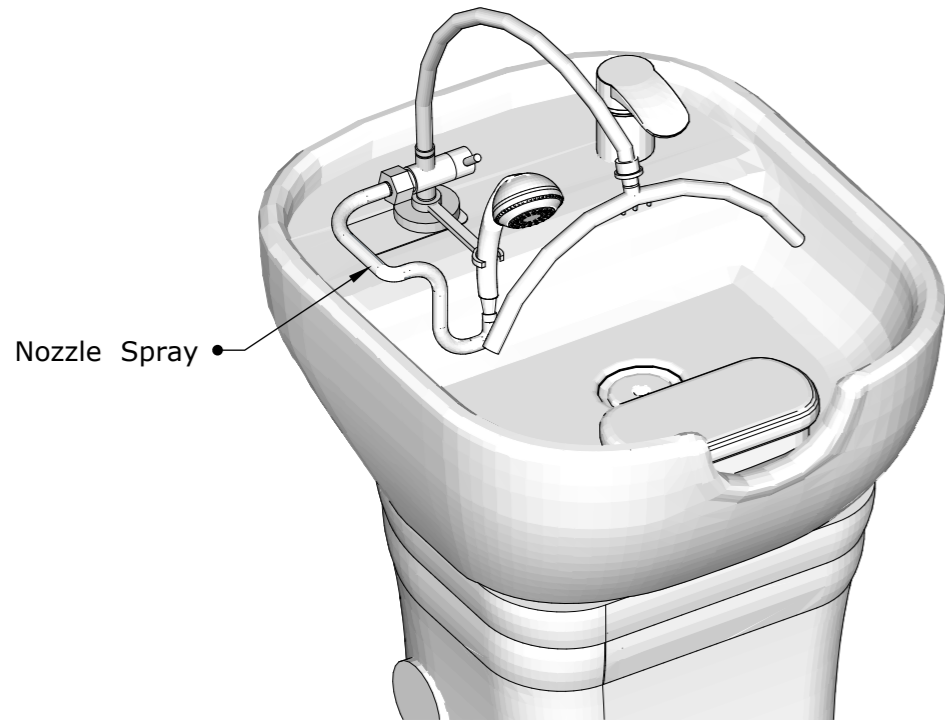




Arched Head Spa Attachment Model # MH-912

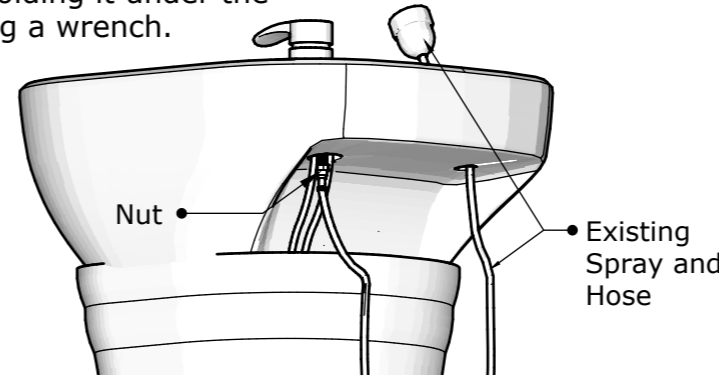


Nozzle Spray

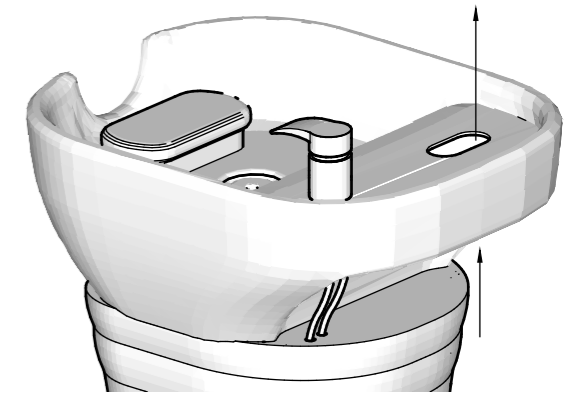
Assembly instructions:

1 Make sure the water supply is turned off.

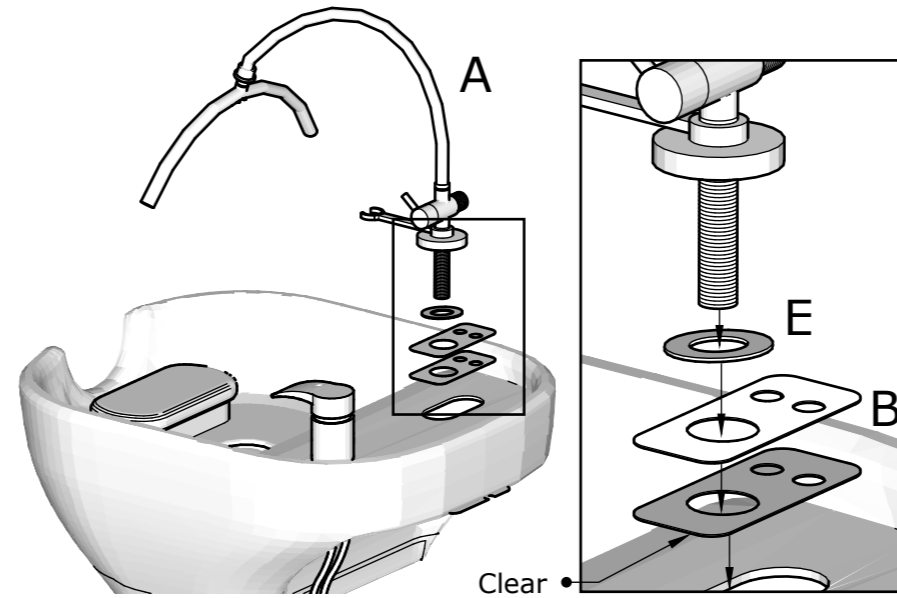
To remove the existing spray and hose, carefully unscrew the nut holding it under the bowl using a wrench.



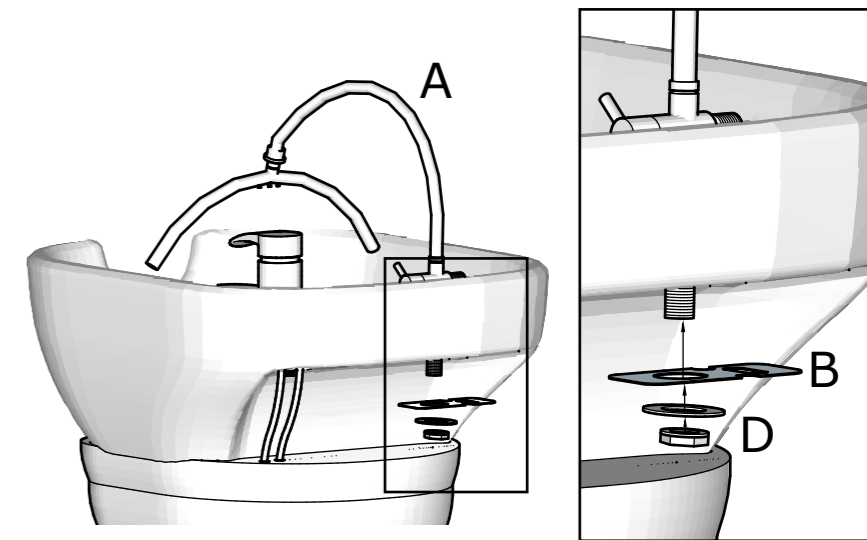
2 Then, pull the spray and hose out through the hole.



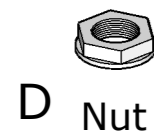
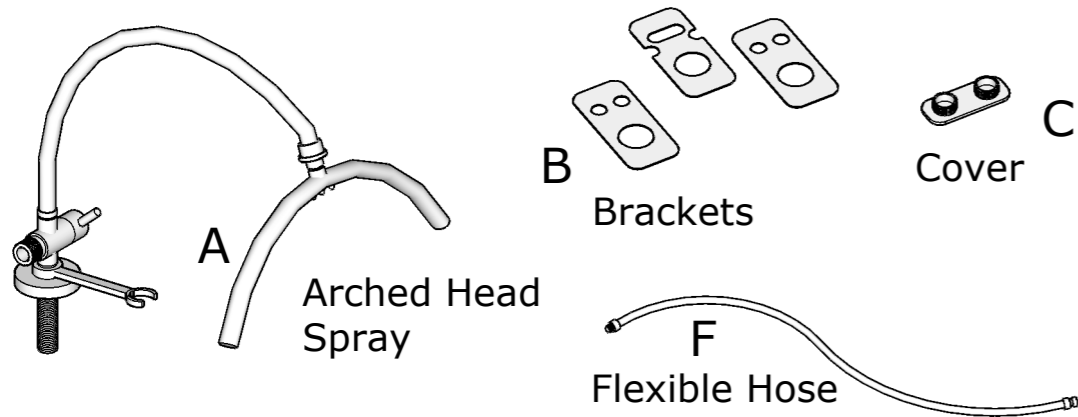
3 Arrange the Arched Head Spray, washer and bracket and insert into the hole. Ensure that the Head sprayer is facing the sink.



4 Secure the Arched Head sprayer using bracket, washer and a nut under the bowl using a wrench.



PARTS



D Nut



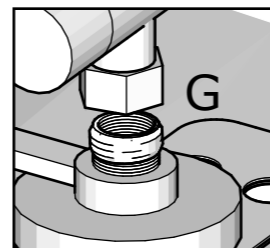
E Washer 2x

Recommended

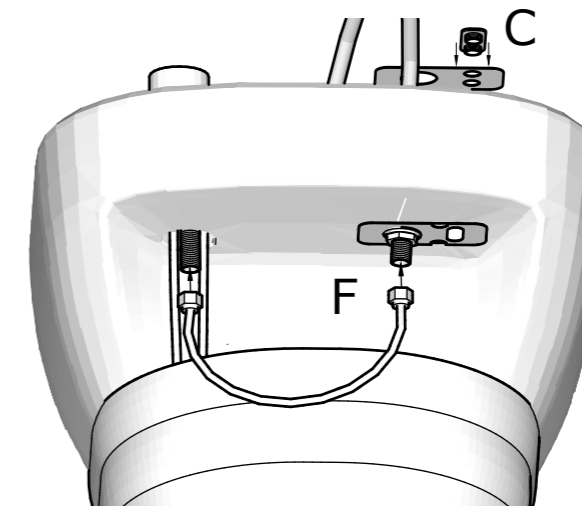


G Teflon Tape
(item not included)

5 Remove the faucet as shown in the image. Wrap Teflon tape clockwise around the threads to ensure it does not loosen or bunch up when securely reattaching the faucet. Then attach the faucet. Teflon tape is not included but recommended.



6 Secure the flexible hose by screwing on both sides. Then secure the cover.



7 Add the existing nozzle spray by removing the nut on the side of the arched head sprayer and tightening the nut of the nozzle spray.

Then turn on the water supply and enjoy!



*Open all boxes to check for parts before beginning assembly.